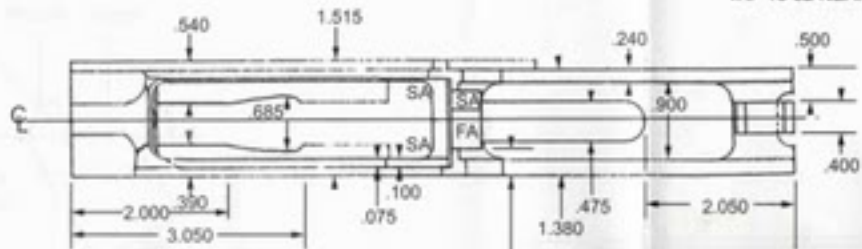


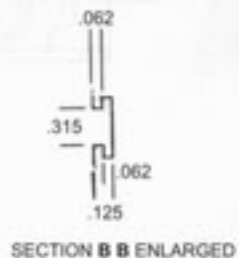
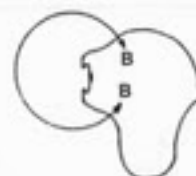
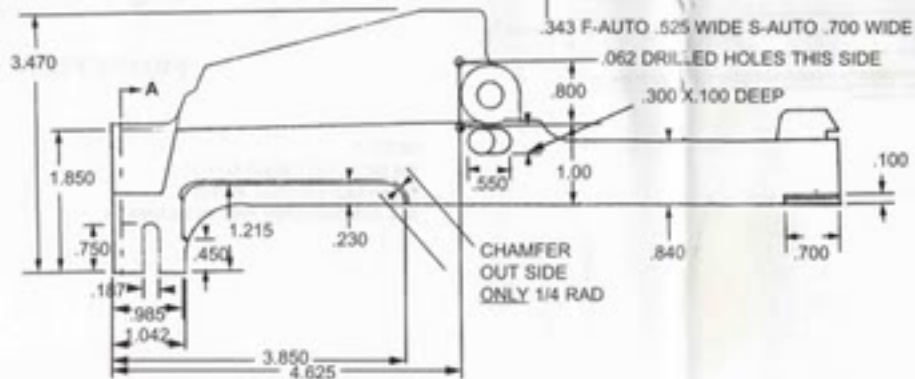
METRIC
 DRILL #33 FAR SIDE
 DRILL .250 NEAR SIDE X .085 DEEP
 TAP 10-32 NEAR SIDE

INCH
 DRILL #33 FAR SIDE
 DRILL #21 NEAR SIDE
 TAP 10-32 NEAR SIDE

BOTTOM VIEW

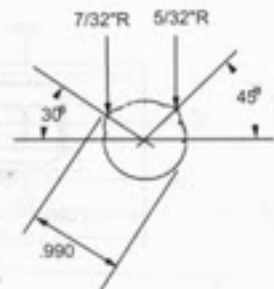
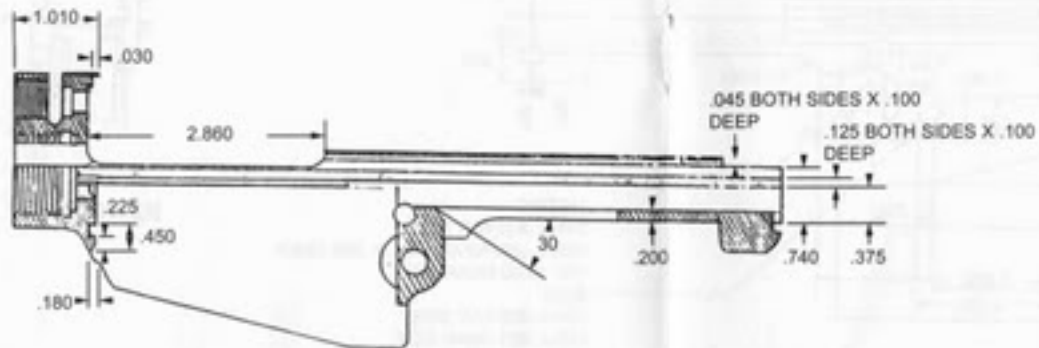


RIGHT SIDE VIEW

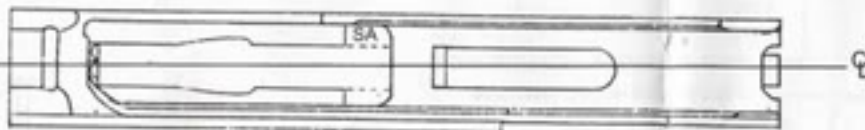


LEGAL NOTICE
ANY MACHINE WORK MUST BE
PREAPPROVED BY THE FEDERAL, STATE
AND LOCAL GOVERNMENTS.
IMPORTANT NOTICE, COMPLETION OF
THIS PART IN FULL AUTO CONFIGURATION
REQUIRES PRIOR APPROVAL FROM BATF.

**LEFT
SIDE
VIEW**



FRONT VIEW



NOTES
SA DENOTES SEMI-AUTO
FA DENOTES FULL AUTO
ALL DIMENSIONS ARE IN DESMALS